



The EntryGard® Sash Lock has a big .625” (15.8 mm) reach-out for maximum pull-in of the sash. This patented lock design comes in handed and non-handed versions for standard or optional tandem applications on large casement windows. When properly mounted, this lock withstands negative air pressure in commercial and high-wind geographic areas — up to 200 lbs. of force per lock. These locks will securely hold the sash against weather-stripping to help prevent water and air leakage. A cut-out along the lock case allows for continuous weatherstrip.

Designed as a replacement for Truth’s #16.16 Sash Lock, this lock features a keeper larger than that used on the #16.16 Lock providing better stability and strength. The EntryGard Casement Sash Lock will immediately retrofit into any screen stop profile presently designed around Truth’s #16.16 Sash Lock.

WARRANTY:

Protected under the terms of the Truth Warranty for Window and Door Manufacturers and Authorized Distributors. Refer to Truth’s Terms and Conditions for further details.

MATERIAL: High-pressure die-cast zinc case and locking handle. Zinc dichromate plated steel back plate and keeper. Steel locking cam.

E-GARD® HARDWARE

Truth’s E-Gard® Hardware has a multi-stage coating process that produces a superior physical and aesthetic finish. Plus, it is resistant to a wider range of corrosive materials, including industrial cleaning materials and environmental pollutants. This proprietary process has been tested to be approximately three times better than common zinc plated finishes.

FINISH: Electrostatically applied, durable coatings that provide excellent resistance to chipping, scratching and corrosion while maintaining color stability for years in direct sunlight. Please refer to Truth's Color Chart for examples of Truth's most popular finish options. Truth also offers a wide range of decorative "plated" finishes - contact Truth for additional information on availability of these finishes on specific product lines.



ORDERING INFORMATION & OPTIONS:

1. Choose EntryGard Sash Lock style desired (specify by part number):
 #16.27 - Handed
 #16.28 - Non-handed
 #16.30 - Handed (tie bar compatible)
 #16.31 - Non-handed (tie bar compatible)
 #16.38 - Handed with narrow case
 #16.44 - Non-Handed with narrow case (tie bar compatible).

Note: Handing is determined by the side the hinge is on when viewed from the outside.

2. Specify finish number.
3. Select mounting hardware (sold separately):
 #30827 - Keeper
 #91674 - Template (optional)
 Tie Bars — See table for the tie bar that best meets your application needs.

RECOMMENDED SCREWS:

Types of screws required determined by material of profile used. See Tech Note #11. Refer to drawings for complete information on screw type and quantity needed (sold separately).

TIE BARS

Tie Bar Part No.	B Dimension
10542	18.500 (469.9mm)
10412	20.375 (517.5mm)
10309	22.875 (581.0mm)
10353	23.312 (592.1mm)
10346	27.312 (693.7mm)
10492	27.750 (704.9mm)
10413	28.875 (733.4mm)
10543	30.500 (774.7mm)
10310	34.875 (885.8mm)
10347	35.312 (896.9mm)
10414	37.375 (949.3mm)
10544	38.500 (977.9mm)
10348	43.312 (1100.1mm)
10311	46.875 (1190.6mm)

TRUTH TIPS:

1. Mounting templates are available to aid in locating the correct mounting hole positions for the sash lock and keeper.
2. When tandem operation of two sash locks are used, the tie bar must be confined to prevent buckling. This is most easily accomplished by confining the tie bar in a route or channel on the back side of the stop (See drawings).
3. To apply a tie bar to a pair of sash locks, simply insert the pins on the tie bar into the holes provided on the back of the tie bar compatible sash locks.
4. In wood window applications, make sure that fasteners do not interfere with movement of the tie bar.
5. When selecting mounting screws for Truth hardware, coating compatibility is one of the most important criteria. For best corrosion resistance the coating on the screws should be the same as the coating on the hardware.
6. For accurate hardware placement in vinyl or metal applications, pre-drilling of the window profile is recommended.
7. For vinyl window applications, mounting screws should pass through two PVC walls, or one PVC wall and one insert wall. For this reason, it may be necessary to use a longer screw than is recommended.
8. For metal window profiles, Truth recommends machine screws. However, in most applications, sheet metal screws will provide adequate holding power.
9. Truth recommends that a Snubber be used at the center of the hinge side on any casement window which has a tendency to bow outwardly at the center in the closed position. Adding a Snubber may increase the negative air pressure rating of the window.

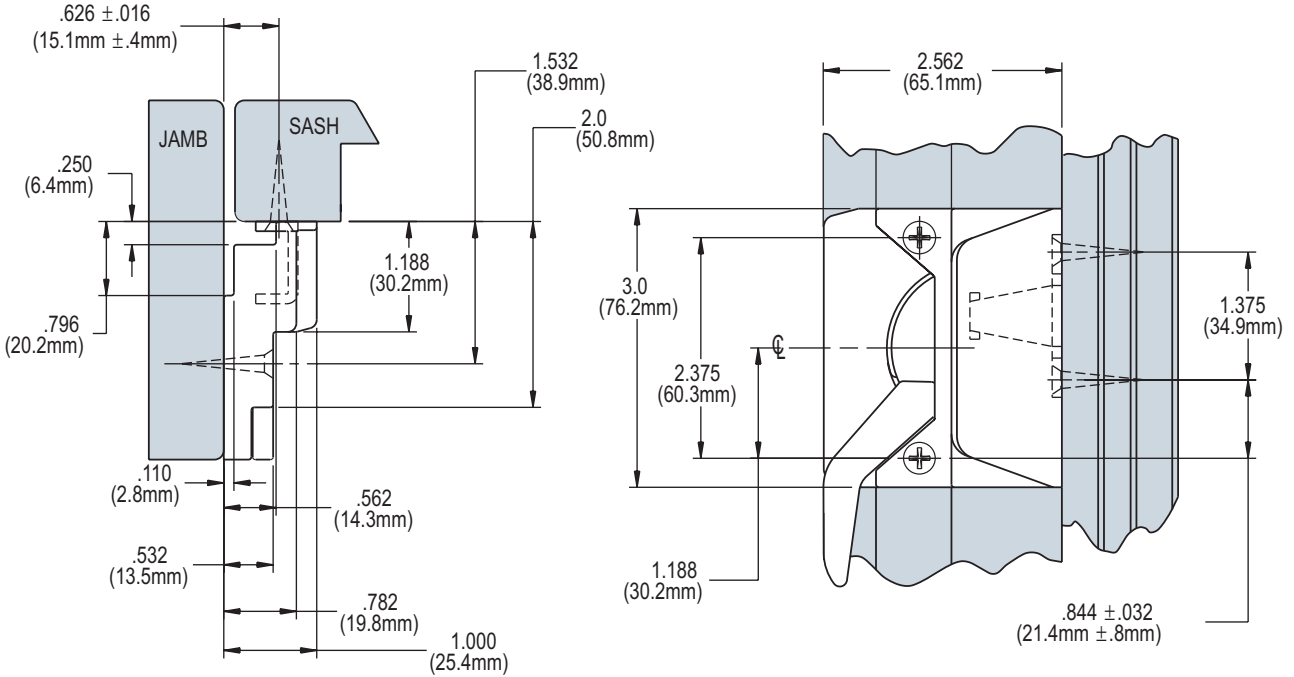
INCLUDE TRUTH SPECS ON YOUR NEXT WINDOW PROJECT

Window sash locks shall be included which will increase both security and weather seal tightness. The lock will also allow easy removal of window screen panel. The locks must hold securely up to 200 lbs. of force per lock for negative air pressure and forced entry resistance.

Window sash locks will be used which provide .625" (15.8 mm) of pull-in created by a revolving cam locking mechanism. The lock must also allow tandem operation of two locks to meet ADA hardware height standards. The lock shall be constructed of high pressure zinc alloy die castings and E-Gard® Hardware internal components.

Window locks shall be 16 series, EntryGard® as manufactured by Truth Hardware, Owatonna, MN.

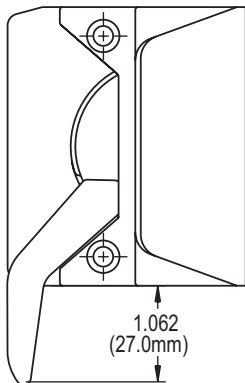
FIG. 1 APPLICATION OF TRUTH ENTRYGARD CASEMENT SASH LOCK



LEFT HAND SHOWN

NOTE:
FOR PROPER KEEPER ALIGNMENT
USE A MOUNTING TEMPLATE.

FIG. 2 16.27 AND 16.30 CASEMENT SASH LOCK (16.30 For Use With Tie Bars)



AVAILABLE KEEPERS	MOUNTING TEMPLATE
30827	91674
30899	

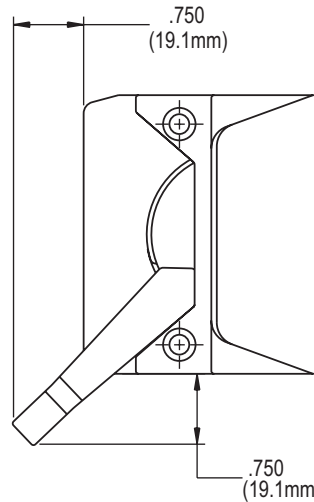
LEFT HAND SHOWN

RECOMMENDED SCREWS:

WOOD: 2 (P/N 19260) # 8 X 1.25 PHILLIPS, FLAT HEAD, SHEET METAL SCREWS

PVC/METAL: 2 - #8 PHILLIPS, FLAT HEAD, SCREWS (LENGTH AND THREAD TYPE DETERMINED BY PROFILE)

FIG. 3 16.28 AND 16.31 CASEMENT SASH LOCK (16.31 For Use With Tie Bars)



AVAILABLE KEEPERS	MOUNTING TEMPLATE
30827	91674
30899	

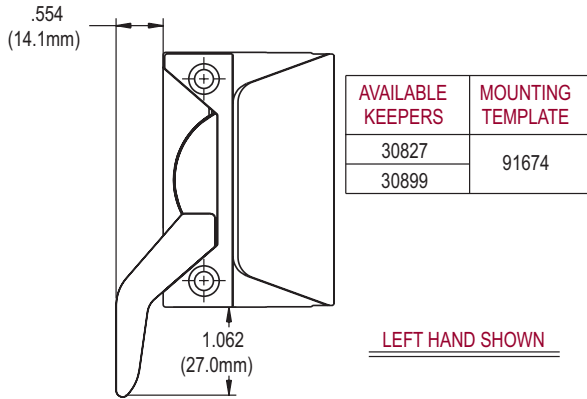
NON-HANDED

RECOMMENDED SCREWS:

WOOD: 2 (P/N 19260) # 8 X 1.25 PHILLIPS, FLAT HEAD, SHEET METAL SCREWS

PVC/METAL: 2 - #8 PHILLIPS, FLAT HEAD, SCREWS (LENGTH AND THREAD TYPE DETERMINED BY PROFILE)

FIG. 4 16.38 AND 16.44 CASEMENT SASH LOCK (16.44 For Use With Tie Bars)

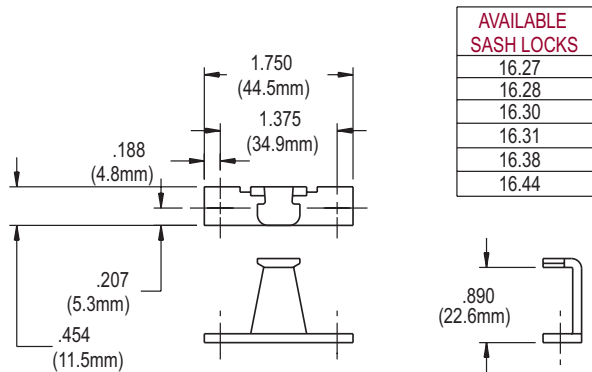


RECOMMENDED SCREWS:

WOOD: 2 (P/N 19260) #8 X 1.0 PHILLIPS, FLAT HEAD, SHEET METAL SCREWS

PVC/METAL: 2 - #8 PHILLIPS, FLAT HEAD, SCREWS (LENGTH AND THREAD TYPE DETERMINED BY PROFILE)

FIG. 5 CASEMENT SASH LOCK KEEPERS 30827 (Steel) AND 30899 (SST)



RECOMMENDED SCREWS:

WOOD: 2 (P/N 19240) #8 X 1.0 PHILLIPS, FLAT HEAD, SHEET METAL SCREWS

PVC/METAL: LENGTH AND THREAD TYPE DETERMINED BY PROFILE.

STAINLESS STEEL SCREWS (P/N 19250) MUST BE USED WITH SST KEEPERS.

FIG. 6 APPLICATION OF TIE BAR FOR TRUTH CASEMENT SASH LOCK

